

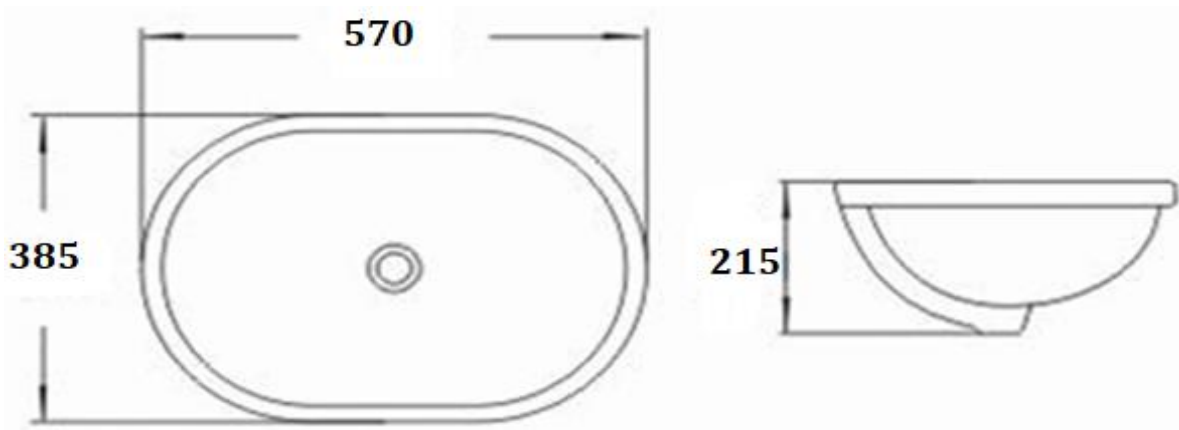


PRODUCT DESCRIPTION: Undercounter Wash Basin bolts with over flow hole.



Product Ref Code :	VCP 540QA
Product Size (mm) :	570*385*215
Material :	Ceramic
Mounting Type :	Under Counter
Finish :	White Glossy

DIMENSIONAL DRAWING



Verde UAE: Tel 02 559 8662 / P.O. Box 45557 Abu Dhabi
Website: www.verdeuae.com / Email: info@verdeuae.com

Verde reserves the right to revise the technical data as above, and is subject to change