

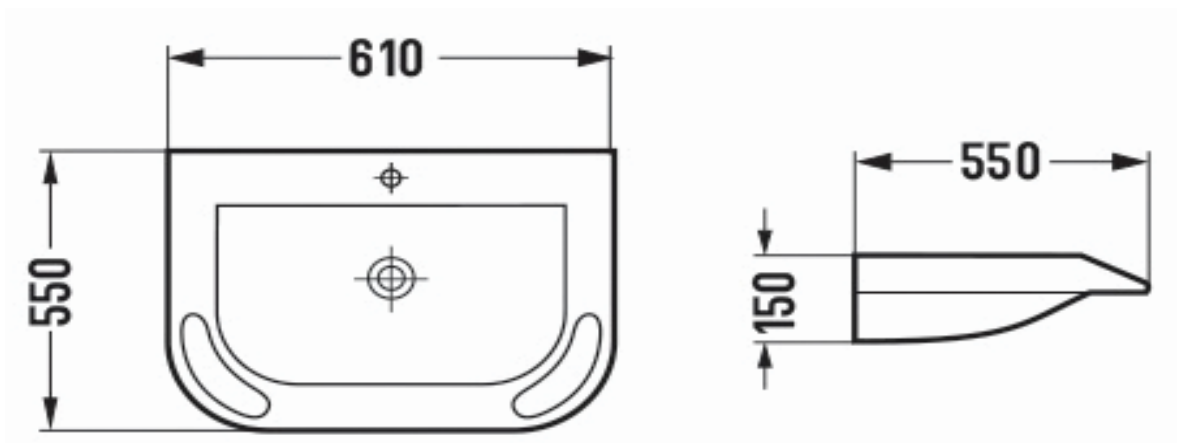


**PRODUCT DESCRIPTION:** Handicap Wash Basin wall mounted.



|                            |                     |
|----------------------------|---------------------|
| <b>Product Ref Code :</b>  | <b>VCP 78696</b>    |
| <b>Product Size (mm) :</b> | <b>610*550*150</b>  |
| <b>Material :</b>          | <b>Ceramic</b>      |
| <b>Mounting Type :</b>     | <b>Wall Hung</b>    |
| <b>Finish :</b>            | <b>White Glossy</b> |

## DIMENSIONAL DRAWING



Verde UAE: Tel 02 559 8662 / P.O. Box 45557 Abu Dhabi  
Website: [www.verdeuae.com](http://www.verdeuae.com) / Email: [info@verdeuae.com](mailto:info@verdeuae.com)

Verde reserves the right to revise the technical data as above, and is subject to change