

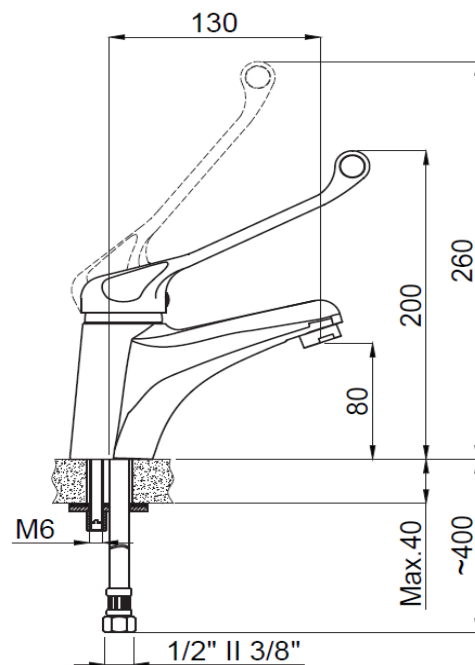


PRODUCT DESCRIPTION: Medical Basin Mixer 1/2", Chrome.



Product Ref Code	:	VTA 15044501
Material	:	Brass
Finish	:	Chrome Plated
Mounting Type	:	Deck Mounted
Flow Rate	:	N/A

DIMENSIONAL DRAWING :



Verde UAE: Tel 02 559 8662 / P.O. Box 45557 Abu Dhabi
Website: www.verdeuae.com / Email: info@verdeuae.com

Verde reserves the right to revise the technical data as above, and is subject to change