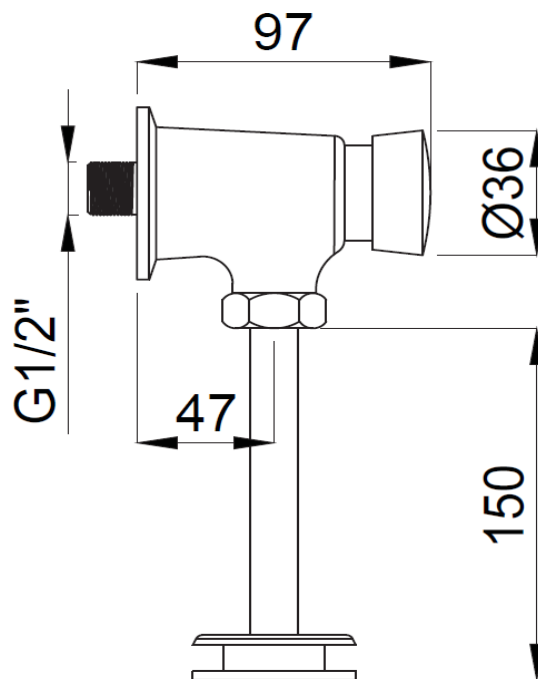


PRODUCT DESCRIPTION: Urinal manual flush valve.



Product Ref Code :	VTA 15340501
Material :	Brass
Finish :	Chrome Plated
Mounting Type :	Wall Mounted
Flow Rate :	N/A

DIMENSIONAL DRAWING :



Verde UAE: Tel 02 559 8662 / P.O. Box 45557 Abu Dhabi
Website: www.verdeuae.com / Email: info@verdeuae.com

Verde reserves the right to revise the technical data as above, and is subject to change