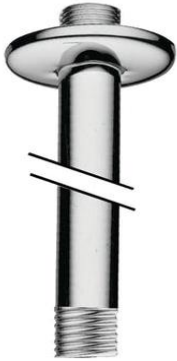


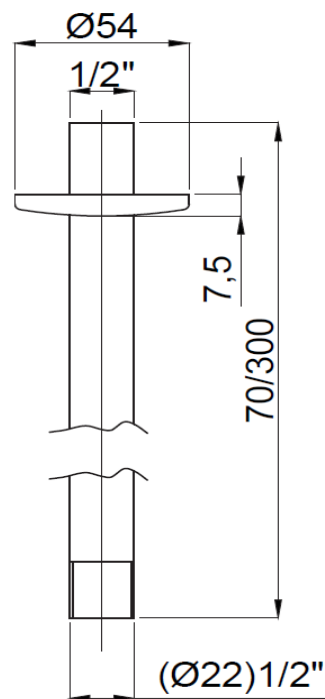


**PRODUCT DESCRIPTION:** Ceiling Mounted Shower Arm 300mm Chrome.



<b>Product Ref Code :</b>	<b>VTA 15784103</b>
<b>Material :</b>	<b>Brass</b>
<b>Finish :</b>	<b>Chrome Plated</b>
<b>Mounting Type :</b>	<b>Ceiling Mounted</b>
<b>Flow Rate :</b>	<b>N/A</b>

**DIMENSIONAL DRAWING :**



Verde UAE: Tel 02 559 8662 / P.O. Box 45557 Abu Dhabi  
Website: [www.verdeuae.com](http://www.verdeuae.com) / Email: [info@verdeuae.com](mailto:info@verdeuae.com)

Verde reserves the right to revise the technical data as above, and is subject to change