

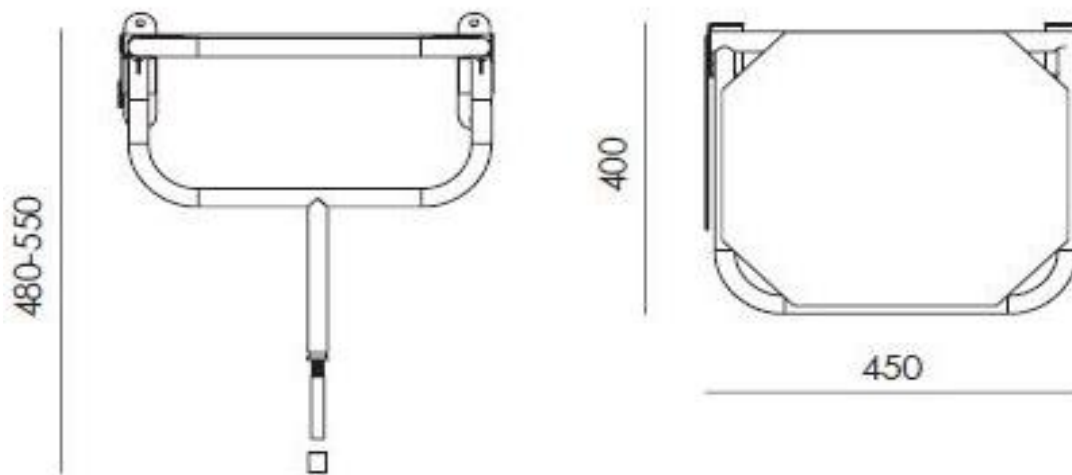


PRODUCT DESCRIPTION: Shower Seat, Foldable Single Leg.



Product Ref Code	:	VTGL 20124
Material	:	SS/Polyurethane
Finish	:	Black
Mounting Type	:	Wall Mounted

DIMENSIONAL DRAWING :



Verde UAE: Tel 02 559 8662 / P.O. Box 45557 Abu Dhabi
Website: www.verdeuae.com / Email: info@verdeuae.com

Verde reserves the right to revise the technical data as above, and is subject to change