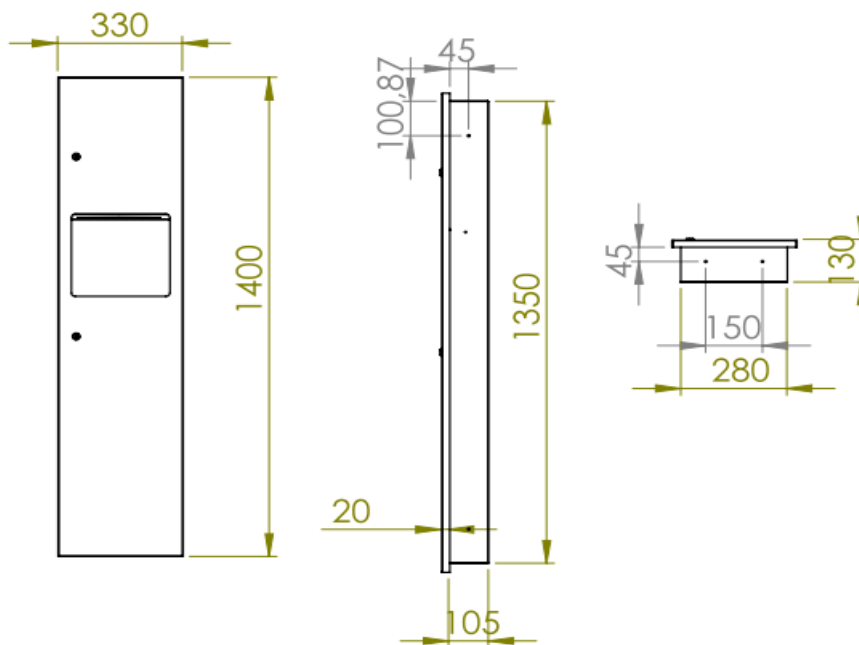


PRODUCT DESCRIPTION: Paper Dispenser & Waste Combination.



Product Ref Code :	VTGL 23511
Material :	Stainless Steel
Finish :	Matt
Mounting Type :	Wall Mounted

DIMENSIONAL DRAWING :



Verde UAE: Tel 02 559 8662 / P.O. Box 45557 Abu Dhabi
Website: www.verdeuae.com / Email: info@verdeuae.com

Verde reserves the right to revise the technical data as above, and is subject to change